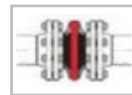
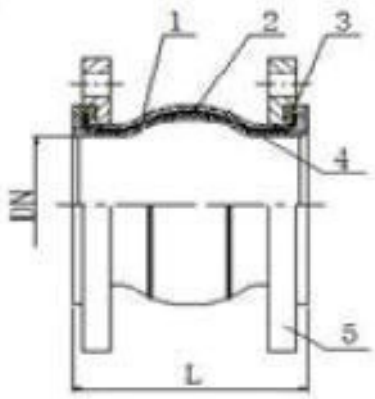


RUBBER BELLOWS

BELLOWS



PART NO.	DN SIZE (mm)	Length (mm)	ELONGATION (mm)	COMPRESSION (mm)	LATERAL DISPLACEMENT (mm)	ANGLE OF DEFLECTION (mm)	WEIGHT (kg)
RBE025	25	95	6	9	9	15°	2
RBE032	32	95	6	10	9	15°	2.3
RBE040	40	105	6	10	9	15°	2.75
RBE050	50	115	7	10	10	15°	3
RBE065	65	135	8	13	12	15°	4.1
RBE080	80	150	8	15	12	15°	5.2
RBE100	100	165	12	19	15	15°	6
RBE125	125	180	12	19	15	15°	10.3
RBE150	150	190	12	20	15	10°	11.6
RBE200	200	230	12	20	22	10°	16
RBE250	250	245	16	28	22	10°	24
RBE300	300	265	16	28	25	10°	27
RBE350	350	265	16	28	25	10°	41
RBE400	400	265	16	28	25	10°	50
RBE450	450	265	16	28	25	10°	80
RBE500	500	265	16	28	25	10°	75
RBE600	600	265	16	28	25	10°	120

MATERIALS	
Outer Rubber	EPDM
Cord Fabric	Nylon
Steel Wire	Steel
Inner Rubber	EPDM
Flange	HDG Steel/ Zinc Plated

SPECIFICATIONS
Max Working Temperature
-15°C to 115°C
Cold Working Pressure
1600 kPa

STANDARD
Flanges
AS2129/TE