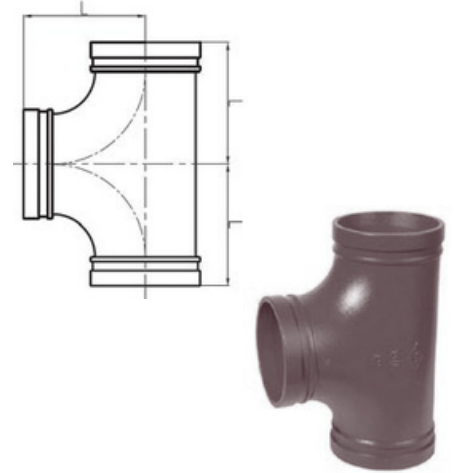


EQUAL TEE, EQUAL CROSS & CAPS

ROLL GROOVE

PART NO.		DN SIZE (mm)	SUITS OD (mm)	L (mm)	WEIGHT (kg)
PAINTED	GALV				
RGT025	RGT025G	25	33.4	57	0.36
RGT032	RGT032G	32	42.2	70	0.63
RGT040	RGT040G	40	48.3	70	0.72
RGT050	RGT050G	50	60.3	70	0.88
RGT065	RGT065G	65	76.1	76	1.28
RGT080	RGT080G	80	88.9	85.5	1.86
RGT100	RGT100G	100	114.3	101	2.5
RGT125	RGT125G	125	141.3	124	4.68
RGT150	RGT150G	150	165.1	140	7.08
RGT200	RGT200G	200	219.1	175	11.43
RGT250	RGT250G	250	273	229	34.09
RGT300	RGT300G	300	323.9	254	47.37



MATERIALS	
Body	Ductile Iron
Gasket	EPDM

SPECIFICATIONS
Cold Working Pressure
1600 kPa / 300 PSI

STANDARD
Material
ASTM A536
Design
AWWA C606

