



# PRODUCT DATA

## Rivet Nut Flat Round Knurl Open (Stainless 316)

Page 1 of 2

### Applications

- Used in automotive industry to fasten body panels, chassis components and other parts
- Used in construction to fasten steel sheets
- Ideal for load bearing applications where material is too thin for bolting
- Useful for applications where there is no access for a traditional nut
- Low installation cost and ease of installation

### Material

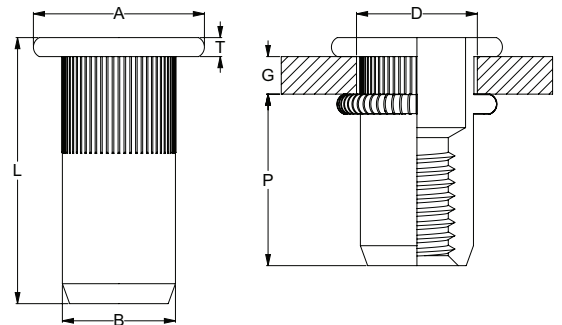


316 Stainless Steel

### Finish



316 Stainless Steel



### Dimensions

Part	Size	Length	Grip Range		Hole Diameter	Body Diameter	Head Diameter	Head Thickness	Protrusion
			G (mm)						
	(mm)	L (mm)	Min	Max	D (mm)	B (mm)	A (mm)	T (mm)	P (mm)
NR16PFKOM04110	M4	11.0	0.5	2.0	6.0	5.9	9.0	1.0	5.4
NR16PFKOM04140	M4	14.0	2.0	4.0	6.0	5.9	9.0	1.0	5.4
NR16PFKOM05130	M5	13.0	0.5	2.5	7.0	6.9	10.0	1.0	8.0
NR16PFKOM05160	M5	16.0	2.5	4.5	7.0	6.9	10.0	1.0	8.0
NR16PFKOM06160	M6	16.0	0.5	3.0	9.0	8.9	12.0	1.5	10.0
NR16PFKOM06185	M6	18.5	3.0	5.0	9.0	8.9	12.0	1.5	10.0
NR16PFKOM08175	M8	17.5	0.5	3.5	11.0	10.9	15.0	1.5	11.0
NR16PFKOM08200	M8	20.0	3.5	6.0	11.0	10.9	15.0	1.5	11.0
NR16PFKOM10190	M10	19.0	1.0	3.5	13.0	12.9	17.0	2.0	15.0
NR16PFKOM10240	M10	24.0	3.5	5.5	13.0	12.9	17.0	2.0	15.0

Disclaimer: while every reasonable effort has been made to ensure that this document is correct at the time of printing, Hobson Engineering®, its agencies and employees disclaim all liability in respect to anything or the consequences of anything done or omitted regarding the whole or any part of this document.

Bolt Tension | Anti-Vibration | Product Reliability | Traceability

[hobson.com.au](http://hobson.com.au) **QUALITY FASTENERS SINCE 1935**



# PRODUCT DATA

## Rivet Nut Flat Round Knurl Open (Stainless 316)

Pullout Values					
Part	Material Properties of Plates	Thickness of Plates	<sup>1</sup> Mean Load	<sup>2</sup> Characteristic Load	<sup>3</sup> Working Load
		(mm)	(N)	(N)	(N)
NR16PFKOM04110	Stainless Steel	1.5	4450	3700	1500
NR16PFKOM04140	Stainless Steel	3.0	9050	7600	3050
NR16PFKOM05130	Stainless Steel	1.5	6750	6450	2600
NR16PFKOM05160	Stainless Steel	3.0	13550	11350	4550
NR16PFKOM06160	Stainless Steel	1.5	6900	6650	2650
NR16PFKOM06185	Stainless Steel	3.0	13850	13000	5200
NR16PFKOM08175	Stainless Steel	3.0	14800	13750	5500
NR16PFKOM08200	Stainless Steel	3.0	20000	14150	5650
NR16PFKOM10190	Stainless Steel	3.0	16900	15000	6000
NR16PFKOM10240	Stainless Steel	4.5	26000	19450	7800

Mechanical Properties			
	Proof Load	Shear	Torsional Strength
	(N)	(N)	(Nm)
M4	6800	1500	5.0
M5	11500	2000	8.5
M6	16500	3000	15.0
M8	25000	4400	26.0
M10	32000	5000	50.0

Note: 1000N = 1kN

1 Mean Load/Strength is the average ultimate strength of samples tested.

2 Characteristic Load/Strength: 95% of these items are expected to have a strength greater than the loads shown.

3 Working Load is the governing minimum allowable load obtained by comparing relevant steel working loads.

Factor of Safety (FOD = 2.5 for steel) is already included.

All values were obtained under laboratory conditions using Rivet Nut products. Safety factors should be considered for design purposes. Actual pullout loads may differ slightly depending on certain properties of the plate material.



You can download this Test Certificate and/or Report from our website:

[hobson.com.au](http://hobson.com.au)

Disclaimer: while every reasonable effort has been made to ensure that this document is correct at the time of printing, Hobson Engineering®, its agencies and employees disclaim all liability in respect to anything or the consequences of anything done or omitted regarding the whole or any part of this document.

Bolt Tension | Anti-Vibration | Product Reliability | Traceability

[hobson.com.au](http://hobson.com.au) **QUALITY FASTENERS SINCE 1935**