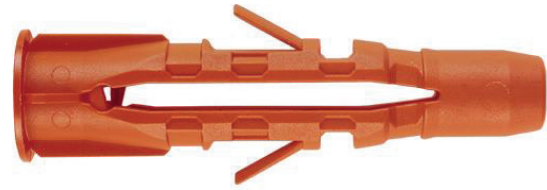


MU Multi Plug Nylon

Multi Plug Nylon MU made from high-quality Polyamide PA 6 for use in hollow wall or hollow masonry applications. Possible combination with wood screws and chipboard screws.



1 SPECIFICATIONS OF INTENDED USE

Futures:

- Made from high-quality polyamide PA6
- Indoor and outdoor applications
- Sound absorption (Polyamide PA 6 absorbs sound transmissions between construction unit and building material)
- Pre installation or through fixing
- Suitable for use in most kinds of building materials, especially in hollow building materials

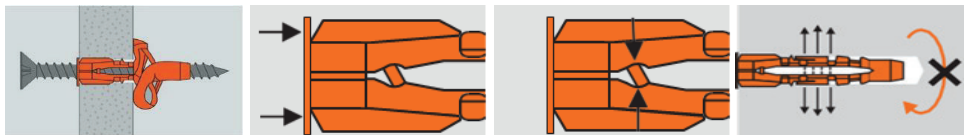
Base materials:

- Plasterboard
- Chipboard
- Clay hollow brick
- Calcium silicate hollow brick

Applications:

- Pictures, lamps
- Woodwork
- Sanitary installation
- Profiles, holders
- Substructures
- Electric switches
- Rails

2 CHARACTERISTICS

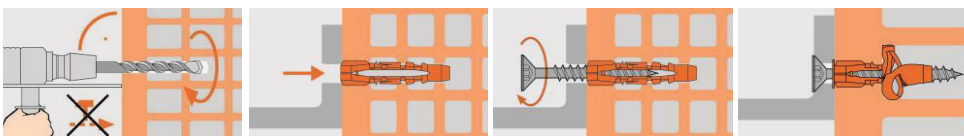


Characteristics:

1. Multifunctional application - Owing to the knotting of the plug shank, it has a safe stop in cavities,
2. face fixing and through fixing possible - Automatic collar detachment makes the plug multifunctional,
3. knock-in protection - Prevents premature expansion while installing,
4. self-tensioning - prevents rotation in the hole.

3 INSTALLATION INSTRUCTIONS

Graphic installation guide for MU Multi Plug Nylon



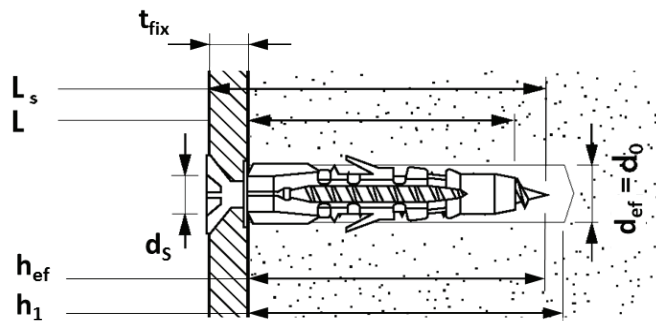
1. Make the drill hole with rotary drilling (no hammer drilling in hollow brick allowed),
2. put in position MU Multi Plug Nylon and building material (face or through fixing),
3. fasten the building material with a screw,
4. tighten the fixation until the knot forms in cavities.

4 INSTALATION DATA

Installation parameters for Mungo MU Multi Plug Nylon

Installation parameters for Mungo MU Nylon Plug

MU Nylon Plug size			6	6	8	10	12	14
Plug length	L	[mm]	35	45	50	60	70	75
Outer diameter	d_0	[mm]	6	6	8	10	12	14
Installation data								
Drill hole diameter in substrate	d_{ef}	[mm]	6	6	8	10	12	14
Drilled hole depth	h_1	[mm]	45	55	65	75	90	100
Screw diameter	d_s	[mm]	3-4	3-4	4,5-6	6-8	8-10	10-12
Screw effective anchorage depth	h_{ef}	[mm]	40	50	55	70	80	85
Entire screw length	L_s	[mm]	$40+t_{fix}$	$50+t_{fix}$	$55+t_{fix}$	$70+t_{fix}$	$80+t_{fix}$	$85+t_{fix}$



5 BASIC PERFORMANCE DATA

Basic performance data for MU Multi Plug Nylon with safety factor 5

Recommended tension resistance for MU Multi Plug Nylon

MU Nylon Plug size			6	6	8	10	12	14
Plug length	L	[mm]	35	45	50	60	70	75
Recommended tension resistance								
Clay hollow brick	N_{rec}	[kN]	0.2	0.3	0.4	0.6	0.8	
Plasterboard	N_{rec}	[kN]	$0.15^{1)}$	$0.18^{1)}$	$0.2^{1)}$	—	—	
Chipboard	N_{rec}	[kN]	$0.4^{1)}$	$0.45^{1)}$	$0.6^{1)}$	—	—	

¹⁾Chipboard screw

Above values refer to a maximum screw diameter

6 IMPORTANT NOTICE

Values in this document are only valued for Mungo MU Multi Plug Nylon. In recommended resistance the partial safety factor $\gamma = 5$ is considered. For combination of tensile loads, shear loads, bending moments as well as reduced edge distances or spacing's (anchor groups) above given values needs to be reduced. The data must be checked by the user under the responsibility of an engineer experienced in anchorage. This is to ensure there are no errors and all data is complete and accurate and complies with all rules and regulations for the actual conditions and application.