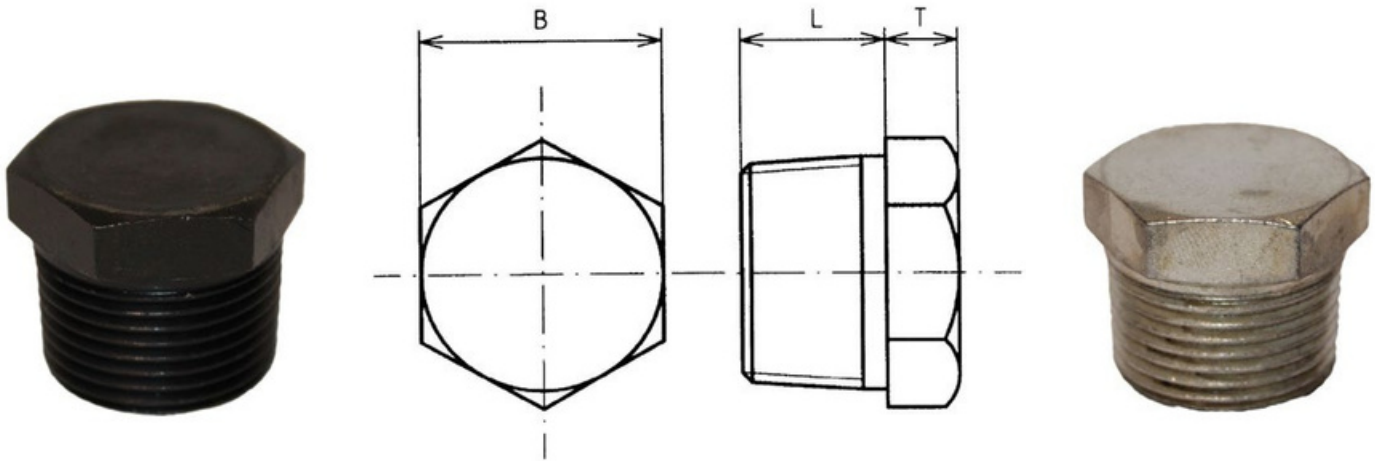


# HEX PLUG

## STEEL FITTINGS



PART NO.		DN SIZE (mm)	L (mm)	B (mm)	T (mm)	WEIGHT (kg)
BLACK STEEL	GAL STEEL					
BSHP006	GSHP006	6	9.5	12	6	0.01
BSHP008	GSHP008	8	12.5	14	6	0.03
BSHP010	GSHP010	10	12.5	17	8	0.04
BSHP015	GSHP015	15	17.5	22	8	0.07
BSHP020	GSHP020	20	19	27	10	0.12
BSHP025	GSHP025	25	21	36	10	0.21
BSHP032	GSHP032	32	24	46	11	0.41
BSHP040	GSHP040	40	24	50	13	0.56
BSHP050	GSHP050	50	27	65	14	0.91
BSHP065	GSHP065	65	32	78	16	1.73
BSHP080	GSHP080	80	35	90	19	2.64
BSHP100	GSHP100	100	40	115	22	5.02

MATERIALS	
Carbon Steel	0.25% Max C
Galvanising	HDG
Zinc Plating	EZP

SPECIFICATIONS
Thread
BSP to ISO 7-1
Cold Working Pressure
5000 kPa

STANDARD
Manufacturing
EN10241-2000