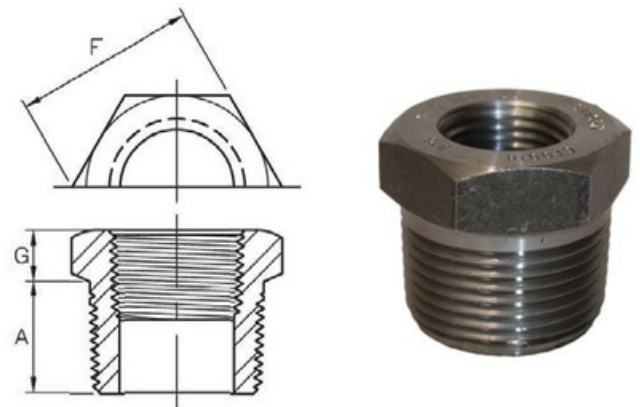


HEX REDUCING NIPPLE & HEX REDUCING BUSH

HIGH PRESSURE - CLASS 3000LB

PART NO. HEX BUSH	DN SIZE (mm)	A (mm)	F (mm)	G (mm)	WEIGHT (kg)
HPB0806	8x6	11	15.9	3	0.01
HPB1008	10x8	13	17.5	4	0.01
HPB1508	15x8	14	22.2	5	0.03
HPB1510	15x10	14	22.2	5	0.03
HPB2008	20x8	16	27	6	0.05
HPB2010	20x10	16	27	6	0.05
HPB2015	20x15	16	27	6	0.05
HPB2508	25x8	19	34.9	6	0.09
HPB2510	25x10	19	34.9	6	0.09
HPB2515	25x15	19	34.9	6	0.09
HPB2520	25x20	19	34.9	6	0.09
HPB3215	32x15	21	44.5	7	0.25
HPB3220	32x20	21	44.5	7	0.25
HPB3225	32x25	21	44.5	7	0.25
HPB4020	40x20	21	50.8	8	0.34
HPB4025	40x25	21	50.8	8	0.34
HPB4032	40x32	21	50.8	8	0.34
HPB5015	50x15	22	63.5	9	0.45
HPB5020	50x20	22	63.5	9	0.45
HPB5025	50x25	22	63.5	9	0.45

PART NO. HEX BUSH	DN SIZE (mm)	A (mm)	F (mm)	G (mm)	WEIGHT (kg)
HPB5032	50x32	22	63.5	9	0.45
HPB5040	50x40	22	63.5	9	0.45
HPB6540	65x40	27	76.2	10	0.6
HPB6550	65x50	27	76.2	10	0.6
HPB8050	80x50	28	88.9	10	1.16
HPB80565	80x65	28	88.9	10	1.16
HPB10050	100x50	32	117.5	13	3.2
HPB10065	100x65	32	117.5	13	3.2
HPB10080	100x80	32	117.5	13	3.2



MATERIALS
Forged Carbon Steel
Also available in Hot Dipped Gal

SPECIFICATIONS
Thread
BSPT & NPT

STANDARD
Material
ASTM A105
Dimensional
ASME B16.11 & BS3799