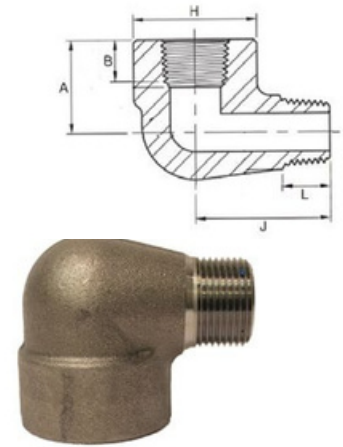


ELBOW 90° MF, HEX NIPPLE & HEX PLUG

HIGH PRESSURE - CLASS 3000LB

PART NO. ELBOW MF	DN SIZE (mm)	H (mm)	A (mm)	J (mm)	B (mm)	L (mm)	WEIGHT (kg)
HPEMF008	8	25	22	32	8.1	11	0.11
HPEMF010	10	32	25	38	9.1	13	0.25
HPEMF015	15	38	28	41	10.9	14	0.34
HPEMF020	20	44	35	48	12.7	16	0.55
HPEMF025	25	51	44	57	14.7	19	1.02
HPEMF032	32	62	51	66	17	21	1.24
HPEMF040	40	70	54	71	17.8	21	2.01
HPEMF050	50	84	64	84	19	22	2.91



MATERIALS

Forged Carbon Steel

Also available in Hot Dipped Gal

SPECIFICATIONS

Thread

BSPT & NPT

Hex Nipples available in crossover configuration

STANDARD

Material

ASTM A105

Dimensional

ASME B16.11 & BS3799