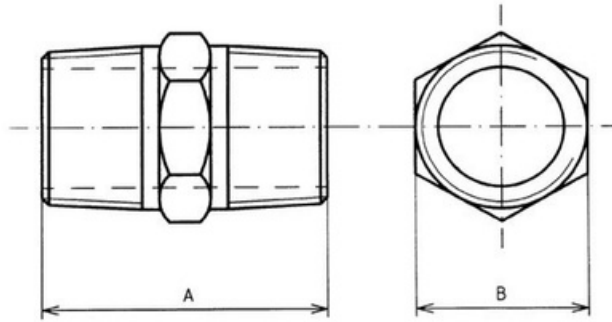


# HEX NIPPLE

## STEEL FITTINGS



| PART NO.    |           | DN SIZE<br>(mm) | A<br>(mm) | B<br>(mm) | WEIGHT<br>(kg) |
|-------------|-----------|-----------------|-----------|-----------|----------------|
| BLACK STEEL | GAL STEEL |                 |           |           |                |
| BSHN006     | GSHN006   | 6               | 25        | 12        | 0.01           |
| BSHN008     | GSHN008   | 8               | 31        | 14        | 0.03           |
| BSHN010     | GSHN010   | 10              | 33        | 17        | 0.04           |
| BSHN015     | GSHN015   | 15              | 43        | 22        | 0.07           |
| BSHN020     | GSHN020   | 20              | 48        | 27        | 0.09           |
| BSHN025     | GSHN025   | 25              | 52        | 36        | 0.14           |
| BSHN032     | GSHN032   | 32              | 59        | 46        | 0.28           |
| BSHN040     | GSHN040   | 40              | 61        | 50        | 0.32           |
| BSHN050     | GSHN050   | 50              | 68        | 65        | 0.50           |
| BSHN065     | GSHN065   | 65              | 80        | 78        | 0.85           |
| BSHN080     | GSHN080   | 80              | 89        | 90        | 0.96           |
| BSHN100     | GSHN100   | 100             | 102       | 115       | 1.48           |

| MATERIALS    |             |
|--------------|-------------|
| Carbon Steel | 0.25% Max C |
| Galvanising  | HDG         |
| Zinc Plating | EZP         |

| SPECIFICATIONS        |
|-----------------------|
| Thread                |
| BSP to ISO 7-1        |
| Cold Working Pressure |
| 5000 kPa              |

| STANDARD      |
|---------------|
| Manufacturing |
| EN10241-2000  |