





# PRODUCT DATA

## Timber Type 17 Bugle Batten Rib

### Self Drilling Timber Screw (SDS) #14-10

Applications	
<ul style="list-style-type: none"> <li>For heavy duty timber fixing</li> <li>Roof battens</li> <li>Decking</li> <li>Pergolas, furnitures, fences</li> </ul>	

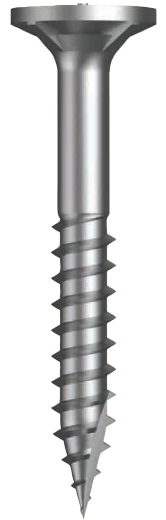
<b>Material</b>	 C1022 Hardened
-----------------	--

<b>Finish</b>	 Class 3
---------------	--

Pullout Values				
Plate Material	Timber Embedment	<sup>1</sup> Mean Load	<sup>2</sup> Characteristic Load	<sup>3</sup> Working Load
	(mm)	(N)	(N)	(N)
F7 Pine	35	6450	4350	1750
F27 Hardwood	35	8150	7350	2950

Mechanical Properties				
Torsional Strength	<sup>1</sup> Mean Tensile Strength	<sup>1</sup> Mean Shear Strength	<sup>2</sup> Characteristic Tensile Strength	<sup>2</sup> Characteristic Shear Strength
(Nm)	(N)	(N)	(N)	(N)
14.1	21950	13150	19650	11800

# 14 Gauge Bugle Batten iHex Head



# DECK<sup>®</sup> MASTER

# DRILLX<sup>®</sup>

Note: 1000N = 1kN

<sup>1</sup> Mean Load/Strength is the average ultimate strength of samples tested.

<sup>2</sup> Characteristic Load/Strength: 95% of these screws are expected to have a strength greater than the loads shown.

<sup>3</sup> Working Load is the governing minimum allowable load obtained by comparing relevant concrete and steel working loads. Factor of Safety (FOS=2.5 for steel, FOS=2.5 for timber and FOS=3.0 for concrete) are already included.

All values are obtained under laboratory conditions using DRILLX product. Safety factors should be considered for design purposes. Actual pullout loads may differ slightly depending on certain properties of the base material.

Disclaimer: While every reasonable effort has been made to ensure that this document is correct at the time of printing, Hobson Engineering®, its agencies and employees, disclaim any and all liability to any person in respect of anything or the consequences of anything done or omitted to be done in reliance upon the whole or any part of this document.

Bolt Tension | Anti-Vibration | Product Reliability | Traceability

[hobson.com.au](http://hobson.com.au) **QUALITY FASTENERS SINCE 1935**

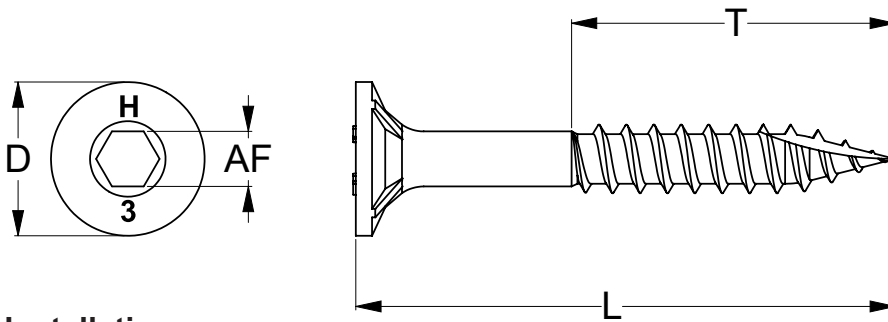




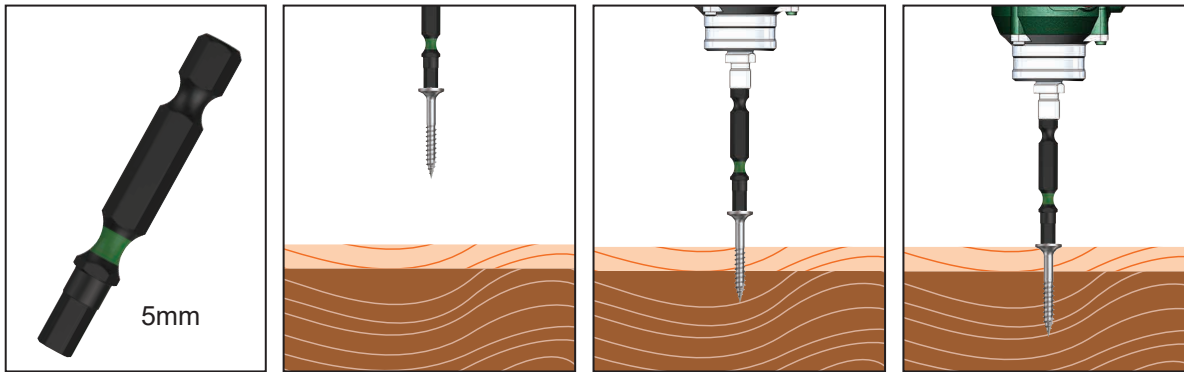
# PRODUCT DATA

## Timber Type 17 Bugle Batten Rib

Part	QFind	Gauge	TPI	Length		Head ø		Pack Qty
				L (mm)	T (mm)	D (mm)	AF (mm)	
T9PW3BH1410050	Q700	14	10	50	30	14.0	HEX 5	1000
T9PW3BH1410065	Q701			65	45			500
T9PW3BH1410075	Q702			75	50			250
T9PW3BH1410100	Q704			100	50			
T9PW3BH1410125	Q705			125	50			
T9PW3BH1410150	Q706			150	75			



### Installation



#### Recommended HEX 5mm Drive Bit

Part	QFind	Length (mm)
TXDIPHXS50050	B351	50

### Installation Guide

1. Use a cordless screw driver set at max 1,500 RPM. Fit the HEX Drive Bit over the screw and place at the fastening position.
2. Apply consistently firm pressure to the screw driver while the screw is drilling.
3. Care should be taken not to over-tighten the screw.

\*Installation with impact drivers not recommended.

Disclaimer: While every reasonable effort has been made to ensure that this document is correct at the time of printing, Hobson Engineering®, its agencies and employees, disclaim any and all liability to any person in respect of anything or the consequences of anything done or omitted to be done in reliance upon the whole or any part of this document.

Bolt Tension | Anti-Vibration | Product Reliability | Traceability

[hobson.com.au](http://hobson.com.au) **QUALITY FASTENERS SINCE 1935**

